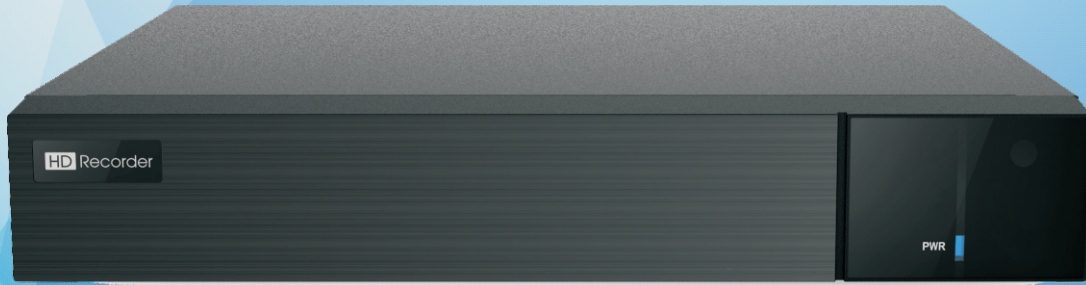


NVR

4/8 CH NVR

6MP/5MP/4MP/3MP/1080P/720P HD NVR



VSN T100HB1

- HD Output
- HD IPC
- DDNS
- Network
- PTZ
- Audio
- MIC
- Mobile
- CMS
- USB
- Mouse
- E-mail
- STD
- VCA

VSN T100HB1 series supports 4/8 CH 6MP/5MP/4MP/3MP/1080P/1280×1024/960P/720P high definition IP video input, which adopts the most advanced SOC technique to ensure high definition recording in each channel and realize outstanding robustness of the system.

VSN T100HB1 series supports 4/8 CH IP input, simultaneous 4/8 CH playback, and 1080P high definition display. The series of product can meet different security requirements of home, financial, commerce, enterprise, transportation and government, etc.



visarcctv.com

For more information, please visit our website

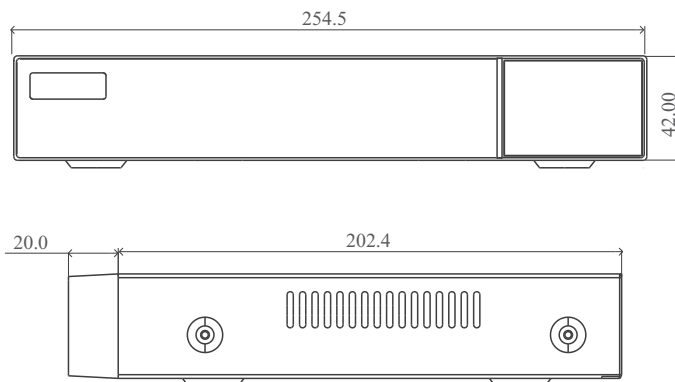
Specifications

Model	VSN T104HB1	VSN T108HB1	
System	OS Embedded Linux		
Video	Network Input	4 CH IPC input	8CH IPC input
	Network Input Resolution	6MP/5MP/4MP/3MP/1080P/1280×1024/960P/720P/960H/D1/CIF	
	Output	HDMI × 1 : 1920 × 1080 / 1280 × 1024/ 1024 × 768 VGA: 1920 × 1080 / 1280 × 1024/ 1024 × 768 HDMI and VGA output the same video source	
	Compression	H.265S / H.265+ / H.265 / H.264	
Audio	Network Input	4 CH IPC audio input	8 CH IPC audio input
	2-way Audio	No	
	Local Output	No (HDMI supports the audio output)	
	Compression	G.711(U/A)	
Record	Record Stream	Dual stream recording	
	Resolution	6MP/5MP/4MP/3MP/1080P/1280×1024/960P/720P/960H/D1/CIF	
	Frame Rate	6MP@20fps(NTSC/PAL); 5MP or lower@30fps/25fps(NTSC/PAL)	
Playback	Simultaneous Playback	Max. 4 CH	Max. 8 CH
	Search	Time slice / time / event / tag / smart search	
	Smart Search	Highlighted color to display the camera record in a certain period of time, different colors refers to different record events	
	Function	Play, pause, FF, FB, digital zoom, etc.	
Decoding Capability	Live View/ Playback	1CH 6MP; 4CH 720P	
Alarm	Mode	Manual, sensor, motion, exception, smart events	
	Input	Support IPC alarm input	
	Output	Support IPC alarm output	
	Triggering	Record, snapshot, buzzer, preset, e-mail, etc.	
Network	Interface	RJ 45 100Mbps × 1	
	Protocol	TCP / IP, IPv4, IPv6, PPPoE, DHCP, DNS, DDNS, UPnP, NTP, SMTP, HTTP, HTTPS, 802.1x, RTSP, SNMP, ONVIF, etc.	
	Incoming Bandwidth	32 Mbps	56 Mbps
	Outgoing Bandwidth	32 Mbps	56 Mbps
	Client Connection	Max. 10 users access	
LPR	Plate Recognition	Yes	
Mobile Device	OS	iOS, Andriod	
Storage	HDD Interface	SATA2.0 × 1, max 8T	
Backup	Local Backup	U disk, USB mobile HDD	
	Network Backup	Yes	
Port	USB	USB 2.0 × 2	
	Remote Controller	Optional	
Others	Power Supply	DC 12V/1.5A	
	Consumption	< 6W (without HDD)	
	Dimensions (mm)	255 × 222 × 42 (W × D × H)	
	Working Environment	-10 ~ 50 °C , 10% ~ 90% humidity	
	Certificate	CE, FCC	
Environmental Protection	Complies with Directive EU RoHS, REACH and WEEE		

Features

- Support 4/8 CH 6MP/5MP/4MP/3MP/1080P/ 1280×1024/ 960P/720P/960H/ D1/CIF IP video input
- H.265S/H.265+/H.265/H.264 coding
- Intuitive and user-friendly Graphic User Interface (GUI), Windows style operation by mouse
- Multi-mode recording: manual / timed / motion / sensor / POS / AI recording
- Playback : 4 /8CH simultaneous playback
- Search : time slice, time, event, tag, smart search
- Support multiple VCA (Video Content Analytics) events, such as object abandoned/missing, region intrusion, tripwire, video exception, etc.
- Support POS information overlay on live view and playback
- Express and flexible backup via USB, network and so on
- Pentaplex : preview, record, playback, backup and remote access
- DHCP, DDNS, PPPoE network protocol
- Remote control via Web Client or CMS : preview, playback, backup, PTZ and configuration
- Dual stream technology for local storage with high definition, remote network transmission and remote surveillance with mobile device
- Authorization management, log view and device status view
- 1080P HD output, true high resolution display
- Support NAT function and QRCode scanning by mobile phones
- Powerful mobile surveillance by smart phones with iOS and Android OS

Dimensions



Rear Panel

VSN T104HB1 / VSN T108HB1

